



PUK FIXTURES INSTALLATION INSTRUCTIONS

INTRODUCTION

Canlet vaporproof lighting products are available as complete fixtures in wall, ceiling or pendant mount configurations. They are now available in LED. In order to ensure trouble free operation of the Canlet fixture, please ensure that the conduit has been securely tightened to 200 in lb. (22.6 Nm). Do not over tighten conduit as over tightening may cause enclosure to break. It is important that the correct wiring method be used to install the product in accordance with electrical code.

IMPORTANCE OF GROUNDING

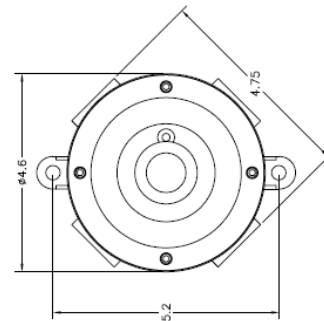
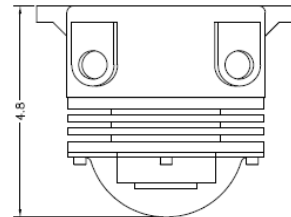
While Canlet fixtures are non-conductive and do not need to be grounded, it is important that the ground of the conduit or other wiring method be maintained from one side of the fixture to the other.

A) Non-Metallic Wiring Methods

- Ground wire required
- Grounding lug in the junction box for terminations.

B) Rigid and Intermediate Conduit

- Internal metal grounding strap provides hub-to-hub grounding
- Use 3/4 lock nuts on the inside of the box.



ORDER INFORMATION

To order Canlet PUK vaporproof lighting products use the convenient part number legend below and contact your nearest distributor. Photometrics are available for the fixture on the request.

SERIES	FINISH	WATTAGE	MOUNTING	FIXTURE TYPE	OPTICS	LENS
PUK	01 White	12W 12W (1985 lm)	C Ceiling	F With Box (Not Available with Pendant)	NO No Optics	09 Clear Lens
	02 Gray	16W 16W (2592 lm)	W Wall	R Retrofit Ring	BE 360°	18 Etched Lens
	03 Black		P Pendant			CC Custom Color
	04 Red		S Stanchion			
	05 Blue		GS Ground Stake			
	06 Green					
	07 Yellow					
PUK						

Manufactured by Canlet Lighting INC