

DATE:

PROJECT:

COMMENTS:

# PUK-VE

Contained Vaporproof LED - Value Engineered



### CONSTRUCTION

- Noncorroding, 30% glass-filled, high impact thermoset polyester housing
- High impact reinforced polymer alloy guard
- Stainless steel screws
- Brass inserts
- Long life silicone gaskets
- ¼" Lexan clear glass

### LED

- 18W
- 4000K
- 80 CRI
- 120VAC or 277VAC
- LED PCB Module
- Total Lumen Output: 2000 lm
- Efficacy: 111 lm/w

### OPERATING TEMPERATURE

- 104° maximum

### APPROVALS

- ETL
- CSA Certified
- Buy American Act
- IP66



## ORDERING LOGIC

PUK-VE-01-18W-C-F-09-1

SERIES	FINISH	WATTAGE	MOUNTING	FIXTURE TYPE	LENS	VOLTAGE
PUK-VE	01 White	18W 18W (2000 lm)	C Ceiling	F With Box (Not Available with Pendant)	09 Clear Lens	1 120VAC
	02 Gray		W Wall	R Retrofit Ring	18 Etched Lens	2 277VAC
	03 Black		P Pendant		CC Custom Color	
	04 Red		S Stanchion			
	05 Blue		GS Ground Stake			
	06 Green					
	07 Yellow					
PUK-VE		18W				



### INSTALLATION

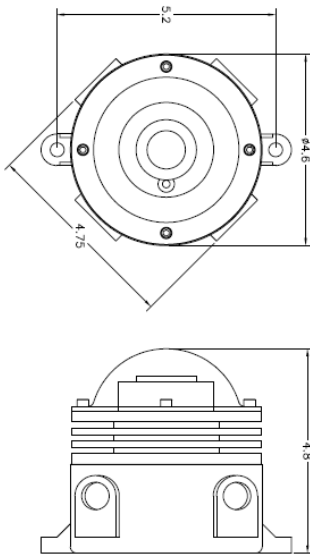
The ceiling box has 3/4" threaded hubs with liquid tight knockouts. Internal grounding system allows for hub to hub grounding continuity when using metallic wiring methods (lock nuts are required). Two mounting feet are spaced 5 1/4". Pendant mount fixtures have a single 3/4" threaded hub with a locking set screw. Use minimum 194°F (90°C) rated lead wires.

### APPROVALS

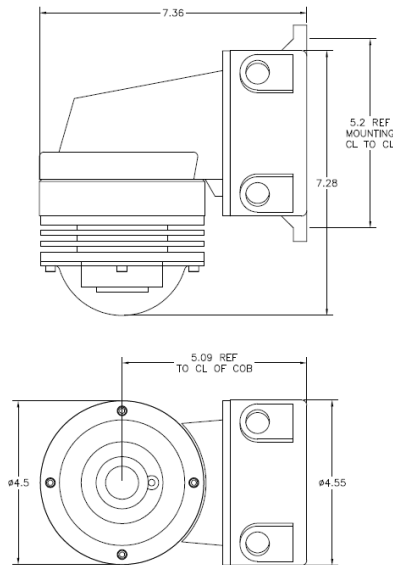
- ETL
- CSA Certified
  - C22.2 No. 250.0-08 Luminaires
  - C22.2 No. 250.13-12
- Buy American Act
- IP66
- Patents
  - US Patent No. D767195S1
  - Canadian Design Patent No. 163809
  - Chinese Patent No. 201530303758.8

### DIMENSIONS/MOUNTING TYPES

#### Ceiling Mount



#### Wall Mount



#### Pendant Mount

