

DATE:

PROJECT:

COMMENTS:

MONUMENT

RLM Signature Series



CONSTRUCTION

- Heavy-gauge spun metals
- Multiple gooseneck designs available
- Indoor and outdoor use

LAMP

- Standard 20W LED
- 150W maximum incandescent (Lamp not included)

POWER SOURCE

- Electronic LED driver, 0-10V dimmable UNV 120/277V

APPROVALS

- ETL
- CSA Certified



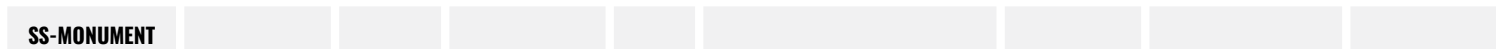
ORDERING LOGIC

SS-MONUMENT-I-H-150-1-DC-AL-GSC-WH

SERIES	LAMP TYPE	OUTPUT	WATTAGE	VOLTAGE	MOUNTING OPTIONS	MATERIAL	GLOBE	FINISH	
SS-MONUMENT	L LED	H High	LED	1 120V	DC Drop Cord	GOOSENECK¹	AL Aluminum	GSC Glass Clear	WH White
	I Incandescent	N Normal	15 15W	2 277V	S Swivel Stem	C1 C1	BR Brass	GSO Glass Opal	AG Gray
			20 20W	3 347V	W Wall Custom	C2 C2	CP Copper	GPC Glass Prismatic Clear	BK Black
			INCANDESCENT		P Pendant (Straight Stem)	C3 C3	GS Galvanized Steel	GHC Heat Treated Clear Glass	RD Red
			150 150W Max.		PS Powered Suspension	C4 C4		PL PUK Lens	BL Blue
						C5 C5			GR Green
						C Custom			YL Yellow
									TWH Textured White
									TBK Textured Black
									TAL Textured Aluminum
								CS² Custom Color	

ORDERING NOTES

1. Standard 3/4" threaded hub
2. All RAL Colors Available and other LED CCT



SEE NEXT PAGE FOR ACCESSORIES



MONUMENT

RLM Signature Series

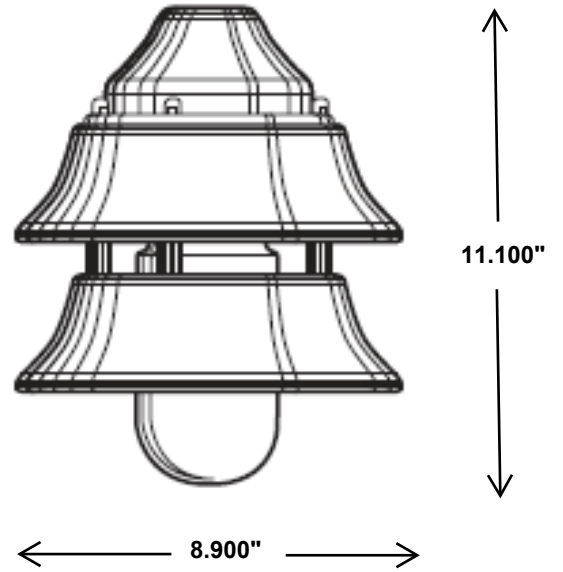


ACCESSORIES (ORDER SEPARATELY)

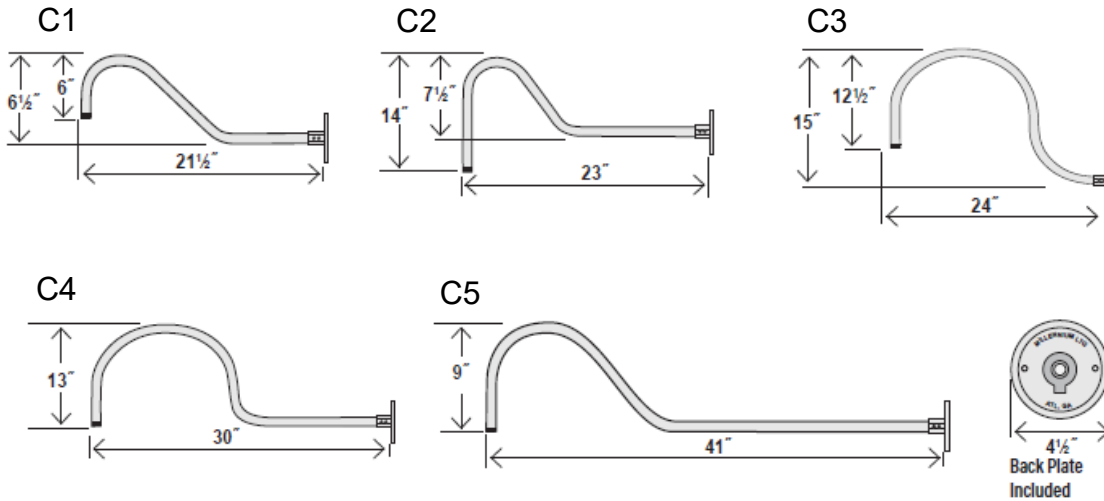
SS-MONUMENT-BP

DIMENSIONS

SERIES	ACCESSORIES
SS-MONUMENT	PA Pig Tail Adapter AC Air Craft Cables OG Globe Guard <small>(Not Available with Polycarbonate Globes)</small>
SS-MONUMENT	



MOUNTING OPTIONS



Stems

