

DATE:

PROJECT:

COMMENTS:

# MONUMENT

RLM Signature Series



### CONSTRUCTION

- Heavy-gauge spun metals
- Multiple gooseneck designs available
- Indoor and outdoor use

### LAMP

- Standard 20W LED
- 150W maximum incandescent (Lamp not included)
- 32W maximum compact fluorescent (Lamp not included)

### POWER SOURCE

- Standard HPF compact fluorescent ballasts
- Electronic LED driver, 0-10V dimmable UNV 120/277V

### APPROVALS

- ETL
- CSA Certified

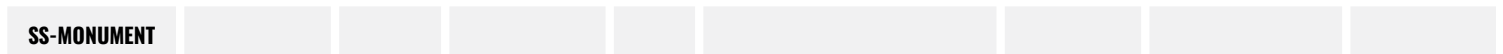


## ORDERING LOGIC

SS-MONUMENT-I-H-150-1-DC-AL-GSC-WH

SERIES	LAMP TYPE	OUTPUT	WATTAGE	VOLTAGE	MOUNTING OPTIONS	MATERIAL	GLOBE	FINISH		
<b>SS-MONUMENT</b>	<b>L</b> LED	<b>H</b> High	<b>LED</b>	<b>1</b> 120V	<b>DC</b> Drop Cord	<b>GOOSENECK<sup>1</sup></b>	<b>AL</b> Aluminum	<b>GSC</b> Glass Clear	<b>WH</b> White	
	<b>I</b> Incandescent	<b>N</b> Normal	<b>15</b> 15W	<b>2</b> 277V	<b>S</b> Swivel Stem		<b>C1</b> C1	<b>BR</b> Brass	<b>GSO</b> Glass Opal	<b>AG</b> Gray
	<b>F</b> Fluorescent		<b>20</b> 20W	<b>3</b> 347V	<b>W</b> Wall Custom		<b>C2</b> C2	<b>CP</b> Copper	<b>GPC</b> Glass Prismatic Clear	<b>BK</b> Black
			<b>INCANDESCENT</b>		<b>P</b> Pendant (Straight Stem)		<b>C3</b> C3	<b>GS</b> Galvanized Steel	<b>GHC</b> Heat Treated Clear Glass	<b>RD</b> Red
			<b>150</b> 150W Max.		<b>PS</b> Powered Suspension		<b>C4</b> C4		<b>PL</b> PUK Lens	<b>BL</b> Blue
			<b>FLUORESCENT</b>				<b>C5</b> C5			<b>GR</b> Green
			<b>09</b> 9W				<b>C6</b> C6			<b>YL</b> Yellow
			<b>13</b> 13W				<b>C7</b> C7			<b>TWH</b> Textured White
			<b>18</b> 18W				<b>C8</b> C8			<b>TBK</b> Textured Black
			<b>26</b> 26W				<b>C9</b> C9			<b>TAL</b> Textured Aluminum
			<b>32</b> 32W				<b>C10</b> C10			<b>CS<sup>2</sup></b> Custom Color
		<b>42</b> 42W			<b>C11</b> C11					
					<b>C</b> Custom					

**ORDERING NOTES**  
 1. Standard 3/4" threaded hub  
 2. All RAL Colors Available



SEE NEXT PAGE FOR ACCESSORIES

# MONUMENT

RLM Signature Series

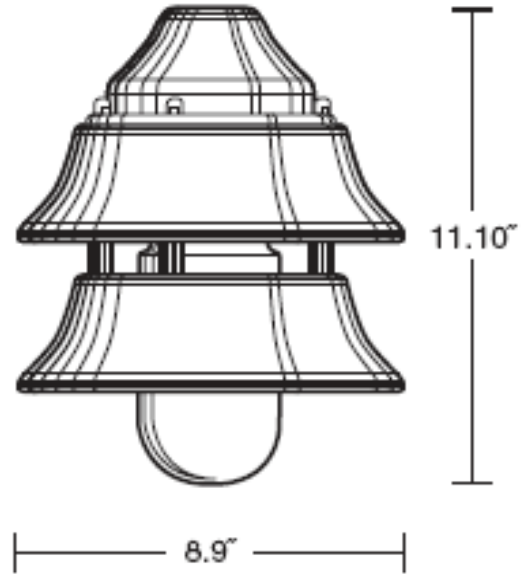


## ACCESSORIES (ORDER SEPARATELY)

SS-MONUMENT-BP

## DIMENSIONS

SERIES	ACCESSORIES
SS-MONUMENT	<b>BP</b> Back Plate <b>PA</b> Pig Tail Adapter <b>AC</b> Air Craft Cables <b>OG</b> Globe Guard (Not Available with Polycarbonate Globes)
SS-MONUMENT	



## MOUNTING OPTIONS

### Mounting Options

Signature Series fixtures can be mounted in a variety of ways, including tough weather resistant cord, braided cord, and a variety of stock goosenecks. Goosenecks can also be custom fabricated to fit any application requirement. Ask your representative for more details.

