

DATE:

PROJECT:

COMMENTS:

**CLASSIC**  
RLM Signature Series



**CONSTRUCTION**

- Heavy-gauge spun metals
- Multiple gooseneck designs available
- Indoor and outdoor use

**LAMP**

- Standard 20W LED
- 150W maximum incandescent (Lamp not included)
- 32W maximum compact fluorescent (Lamp not included)

**POWER SOURCE**

- LED driver, 0-10V dimmable UNV 120/277V

**APPROVALS**

- ETL
- CSA Certified

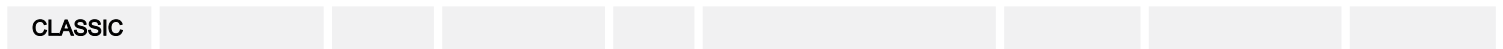


**ORDERING LOGIC**

CLASSIC-I-H-150-1-DC-AL-GSC-WH

SERIES	LAMP TYPE	OUTPUT	WATTAGE	VOLTAGE	MOUNTING OPTIONS	MATERIAL	GLOBE	FINISH		
CLASSIC	L LED	H High	<b>LED</b>	<b>1</b> 120V	<b>DC</b> Drop Cord	<b>GOOSENECK<sup>1</sup></b>	<b>AL</b> Aluminum	<b>GSC</b> Glass Clear	<b>WH</b> White	
	I Incandescent	N Normal	<b>15</b> 15W	<b>2</b> 277V	<b>S</b> Swivel Stem		<b>C1</b> C1	<b>BR</b> Brass	<b>GSO</b> Glass Opal	<b>AG</b> Gray
	F Fluorescent		<b>20</b> 20W	<b>3</b> 347V	<b>W</b> Wall Custom		<b>C2</b> C2	<b>CP</b> Copper	<b>GPC</b> Glass Prismatic Clear	<b>BK</b> Black
			<b>INCANDESCENT</b>		<b>P</b> Pendant (Straight Stem)		<b>C3</b> C3	<b>GS</b> Galvanized Steel	<b>GHC</b> Heat Treated Clear Glass	<b>RD</b> Red
			<b>150</b> 150W Max.		<b>PS</b> Powered Suspension		<b>C4</b> C4		<b>PPC</b> Polycarbonate Prismatic Clear	<b>BL</b> Blue
			<b>FLUORESCENT</b>				<b>C5</b> C5	<b>PSC</b> Polycarbonate Smooth Clear	<b>GR</b> Green	
			<b>09</b> 9W				<b>C6</b> C6	<b>PL</b> PUK Lens	<b>YL</b> Yellow	
			<b>13</b> 13W				<b>C7</b> C7		<b>TWH</b> Textured White	
			<b>18</b> 18W				<b>C8</b> C8		<b>TBK</b> Textured Black	
			<b>26</b> 26W				<b>C9</b> C9		<b>TAL</b> Textured Aluminum	
			<b>32</b> 32W				<b>C10</b> C10		<b>CS<sup>2</sup></b> Custom Color	
			<b>42</b> 42W				<b>C11</b> C11			
					<b>C</b> Custom					

**ORDERING NOTES**  
1. Standard 3/4" threaded hub  
2. All RAL Colors Available



**SEE NEXT PAGE FOR ACCESSORIES**

# CLASSIC

RLM Signature Series

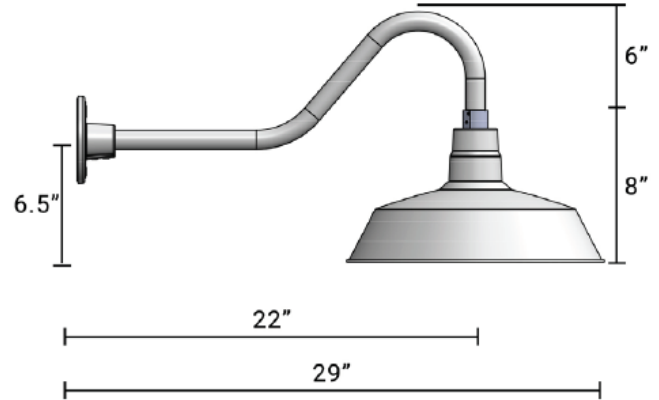


## ACCESSORIES (ORDER SEPARATELY)

CLASSIC-BP

## DIMENSIONS

SERIES	ACCESSORIES
CLASSIC	<b>BP</b> Back Plate <b>PA</b> Pig Tail Adapter <b>AC</b> Air Craft Cables <b>OG</b> Globe Guard <small>(Not Available with Polycarbonate Globes)</small>
CLASSIC	



## MOUNTING OPTIONS

### Mounting Options

Signature Series fixtures can be mounted in a variety of ways, including tough weather resistant cord, braided cord, and a variety of stock goosenecks. Goosenecks can also be custom fabricated to fit any application requirement. Ask your representative for more details.

