

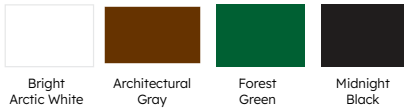
DATE:

PROJECT:

COMMENTS:

# LED PUKmate®

Outdoor Lighting Fixture



### CONSTRUCTION

- Corrosion-free, high impact polycarbonate housing
- EDPM cover plate gasket
- Brass and Stainless Steel screws and inserts
- Aluminum powder coated heat sink

### LAMP

- Integral LED up to 12 Watt per head
- Up to 1600 lumens per head
- 4000K Standard (Other CCT available)
- 1-10v Dimmable driver
- Optional strobe lighting

### MOUNTING

- Wall, ceiling, and ground

### FINISH

- Bright arctic white
- Architectural gray
- Forest green
- Midnight black

### APPROVALS

- DLC (Lamp dependent)
- ETL
- CSA Certified
- Made in the USA
- Indoor/outdoor
- Suitable for wet locations
- Materials meet UL 94-5V standards for flame retardant

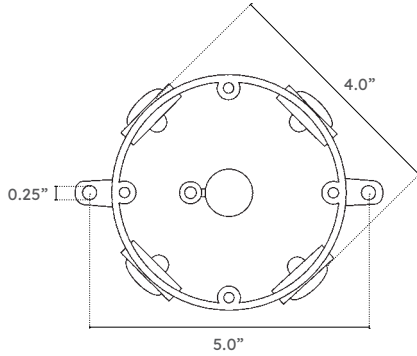
## ORDERING LOGIC

PUKmate®-65L-1/4K-1-0

SERIES	LAMP/CCT	FINISH	WEATHERPROOF BOX	OPTIONS
PUKmate®-65L	1 One LED	1 Bright Arctic White	0 No Box	<b>MS</b> Motion Sensor
	2 Two LED	2 Architectural Gray	1 Matching Weatherproof Box	<b>GMS</b> Ground Mount Stake
		3 Forest Green		<b>SL</b> Strobe lighting
		4 Midnight Black		<b>SH</b> Shroud
PUKmate®-65L				

**DIMENSIONS**

Junction Box



**360 Rotation**

Our locking adjustment mechanism allows for flexible adjustment without tools. It is simple to use and will never droop, strip or seize up over time!

**INSTALLATION**

Both the single hole and three hole covers fit on all 4" weatherproof boxes, recessed 4" octagonal boxes and matching Canlet weatherproof boxes. Screw caps are provided to plug unused mounting holes. The matching weatherproof box has five 1/2" threaded hubs and four plugs. The rear hub is a knockout. The box's mounting feet are spaced 5". Each fixture comes with installation aiming instructions.

One Lamp Holder with Cover and Box



Two Lamp Holders with Cover and Box

